

# Angle Blade

for Skid Steer and Multi Terrain Loaders



## Features

- Durable high capacity design
- Standard three-piece replaceable cutting edge
- Angles 30 degrees, left and right
- Angled end cutting edge
- Two-widths versions available

## Benefits

- Ideal for moving dirt and gravel.
- Delivers long life and high performance.
- Beneficial for dozing, leveling or spreading applications.
- Allows operation up to vertical surfaces.
- Matched machine and application.

**CATERPILLAR**<sup>®</sup>

# Angle Blades

## Specifications and Dimensions

|  |    |         |         |
|--|----|---------|---------|
| <b>A</b> Overall Width* (straight)               | mm | 1830    | 2134    |
| <b>B</b> Working Width* (angled 30° right)       | mm | 1685    | 1949    |
| <b>C</b> Height                                  | mm | 614     | 614     |
| <b>D</b> Length                                  | mm | 753     | 753     |
| Weight   | kg | 313     | 331     |
| Adjustable cutting depth, three 25 mm increments | mm | 0/25/50 | 0/25/50 |
| Max blade angle (right or left of center)        |    | 30°     | 30°     |
| Max blade trip angle (from vertical)             |    | 60°     | 60°     |

### Standard

Bolt-on cutting edge

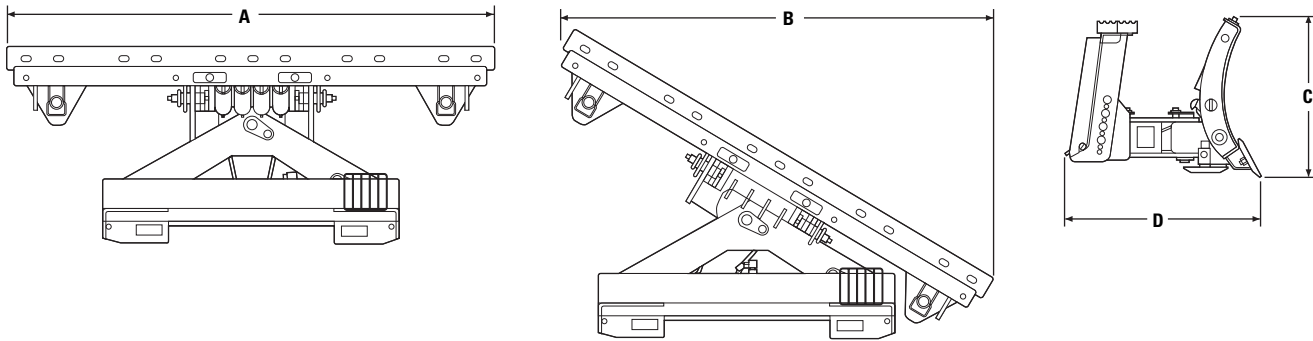
### Optional

Bolt-on non-metallic edge

Bolt-on snow flap

Bolt-on edge antennas

\* Measured from moldboard edges; overall width is approximately 50 mm wider with bolt-on edge.



## Hydraulic Requirements

Angle blade hydraulic – Standard flow hydraulics and no electrics.

## Matching Guide

| Blades  | Skid Steer Loaders           | Multi Terrain Loaders |
|---------|------------------------------|-----------------------|
| 2002 mm | 216B, 226B, 232B, 242B       | 247B, 257B            |
| 2342 mm | 236B, 246C, 256C, 262C, 272C | 277C, 287C, 297C      |

For more complete information on Cat products, dealer services, and industry solutions, visit us on the web at [www.cat.com](http://www.cat.com)

HEHX3169-2 (03/2007) hr

© 2007 Caterpillar -- All Rights Reserved

Materials and specifications are subject to change without notice. Featured machines in photos may include additional equipment. See your Caterpillar dealer for available options.

CAT, CATERPILLAR, their respective logos, "Caterpillar Yellow" and the POWER EDGE™ trade dress, as well as corporate and product identity used herein, are trademarks of Caterpillar and may not be used without permission.

**CATERPILLAR**®  
TODAY'S WORK. TOMORROW'S WORLD.™